

# Rekam

DIGITAL CAMCORDER  
DVC-540



USER MANUAL

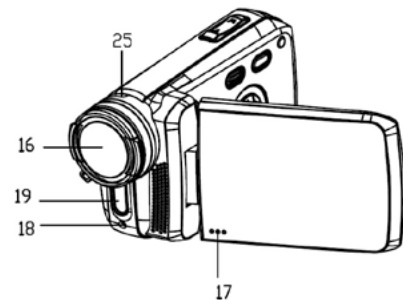
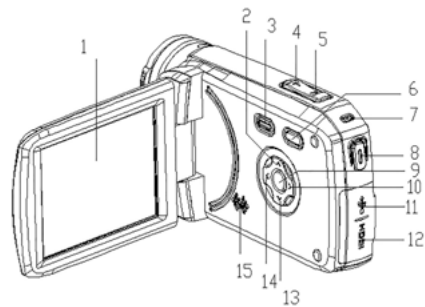
# CONTENTS

<b>1. PREPARING FOR USING</b> .....	3
1.1 PARTS OF THE CAMERA .....	3
1.2 INSERTING THE BATTERY AND MEMORY CARD .....	4
<b>2. BASIC OPERATION</b> .....	6
2.1 TURN ON AND OFF .....	6
2.2 SETTING THE DATE AND TIME .....	6
2.3 FORMATTING THE MEMORY CARD .....	7
2.4 CHANGING THE MODE .....	8
2.5 DISPLAY ON THE LCD SCREEN .....	8
2.6 SETTING THE CAMERA .....	10
<b>3. RECORDING VIDEO</b> .....	11
3.1 VIDEO MODE MENU .....	12
<b>4. TAKING STILL IMAGES</b> .....	13
4.1 CAPTURE MODE MENU .....	14
<b>5. PLAYBACK</b> .....	16
5.1 PLAYBACK MODE MENU .....	17
<b>6. MAKE CONNECTIONS</b> .....	17
6.1 CONNECTING THE CAMERA TO A HDTV .....	17
6.2 CONNECTING THE CAMERA TO A COMPUTER .....	18
6.3 WI-FI CONNECTING .....	19
6.4 HOW TO USE THE PC CAMERA FUNCTION .....	20
<b>7. SPECIFICATION</b> .....	21

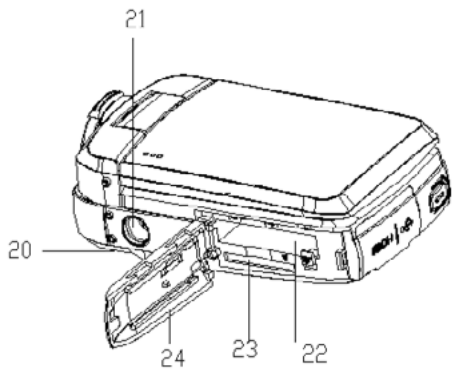
## 1. PREPARING FOR USING

### 1.1 Parts of the camera

1. LCD screen
2. Up/Playback button
3. Power button
4. T/Zoom in button
5. W/Zoom out button
6. Mode button
7. Charging indicator light
8. Shutter button
9. OK/MENU button
10. Right/LED lamp button
11. USB jack
12. HDMI jack
13. Down / Wi-Fi button



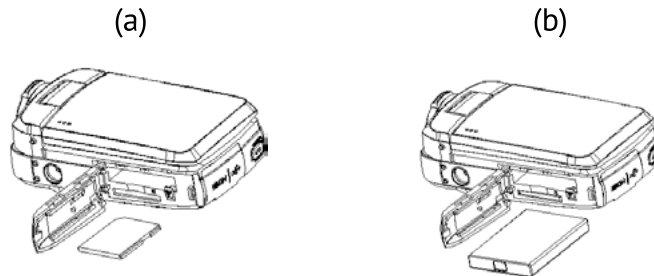
14. Left button
15. Speaker
16. Lens
17. Microphone
18. Self timer indicator light
19. LED lamp
20. Wrist strap
21. Tripod slot
22. Battery slot
23. SD card slot
24. Plastic cover
25. Long shots / Microspur



### 1.2 Inserting the battery and memory card

1. Slide and open the bottom plastic cover as per the direction showing on the cover.
2. Find the battery slot and SD card slot.

3. Insert the lithium battery into the bigger slot as shown in the following figure(a). Please make sure the +/- symbols on the battery are matching the +/- symbols on the camera.
4. Insert the SD card (up to 32GB) into another slot as shown in following figure(b). Please pay attention to the direction, do not try to insert the card forcibly.



**Note:** Please connect the camera to a computer via the USB cable to charge the battery for the first time using. Once the battery is fully charged, the busy indicator light will turn off. And the camera body may be warm after extended use.

## 2. BASIC OPERATION

The camera has a 3" HD resistance touch screen. You can operate it by tapping the screen or pressing the button.

### 2.1 Turn on and off

Turn on: Press the Power button or turn over the LCD screen to turn on the camera.

Turn off: Press the Power button or close the LCD screen to turn the power off.

### 2.2 Setting the date and time

1. Turn on the camera.
2. Press the Menu button (or touch the "MENU" icon on the screen) to enter menu interface. Then press the Right button to enter the setup menu.
3. Press Up and Down button (or touch the "Date&Time" on the screen) to select the date option. Then press OK button (or touch the "OK" icon on the screen) to enter the setting interface.
4. Press the Up/Down/Right/Left button (or touch the "Up/Down/Right" icon on the screen) to select the option that

you want to modify. And press OK button to confirm and exit.

5. Press the Left button to turn back. Press the Mode button (or touch the "Back" icon on the screen) to exit the setup menu.




### 2.3 Formatting the memory card

It is important to formatting the memory card for the first time using. All the data including protected files will be deleted, please ensure that you copy the important files to your computer before formatting.

1. Turn on the camera.
2. Press the Menu button to enter the menu interface, then press the Right button to enter the setup menu.
3. Select the Format option by pressing Up/Down button. Then press OK button to enter the sub menu.
4. Press the Up/Down to select YES, and then press the OK button to start formatting the memory card.
5. Press Left button can exit the setup menu.

## 2.4 Changing the mode

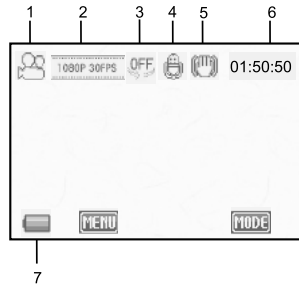
The camera has 3 different modes: capture mode, video mode and playback mode. Press the Mode button (or touch the "MODE" icon on the bottom right of screen) can change to different mode.

Icon	Title	Description
	Capture mode	For taking still photos.
	Video mode	For recording movie clips.
	Playback mode	For playing recorded files.

## 2.5 Display on the LCD screen

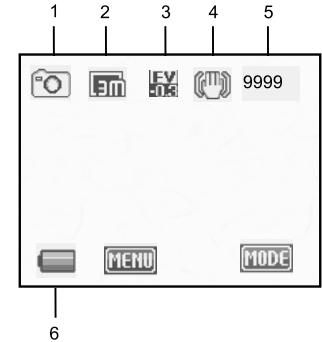
### Video Mode

1. Video mode
2. Resolution
3. Loop recording
4. Voice recording
5. Stabilizer
6. Memory card capacity
7. Battery level



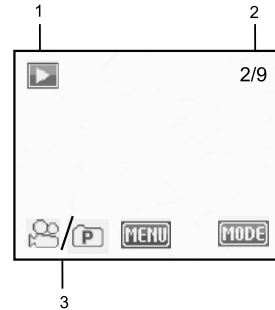
### Capture Mode

1. Capture mode
2. Resolution
3. Exposure
4. Stabilizer
5. Memory card capacity
6. Battery level



### Playback Mode

1. Playback mode
2. The sequence of current file/ the total number of recorded files
3. File type: video/photos




## 2.6 Setting the camera



Before taking photographs or recording videos, turn on the camera to set the camera firstly. Press Menu button to enter the mode menu. Then press the Right button to bring up the setup menu as below, press the Right/Left/Up/Down/OK button to set the option and exit.

Menu	Function
Sounds	Set the sounds and volume of shutter, start-up and beep. Shutter: [on]/ [off] Start-up: [none]/ [1]/ [2]/ [3] Beep: [on]/ [off] Volume: [0]/ [1]/ [2]/ [3]
Back Light	Set the duration of back light. Options: [1min]/ [3min]/ [5min]/ [on].
LED	Set the LED state. Options: [on]/ [off].
Power Save	For saving power, the camera will turn off automatically after a period of time if you did not operate it. Options: [1min]/ [3min]/ [5min]/ [off].
Date&Time	Set the date and time of the camera. Press Up/Down/Left/Right button to set correct time.
Language	Set the on-screen language: [English]/ [German]/ [Italian]/ [Spanish]/ [Portuguese]/ [Dutch]/ [French]/ [Russian]
Power Frequency	Light Frequency should be set depending on your region: [50HZ]/ [60HZ].

Menu	Function
USB	Set the default mode when connect the camera to a computer by USB cable: [MSDC]/ [UVC].
Format	Format your SD card will delete all files including the protected files. Please copy important files before format. Options: [Yes]/ [No].
Reset All	Restores the camera to default settings: Options: [Yes]/ [No].

## 3. RECORDING VIDEO

1. Turn on the camera, press the Mode button to set the camera to video mode. An icon  will show on the top left corner of the screen.
2. View the target subject on LCD screen, and press the W/T button to zoom in/zoom out the image.
3. Press the Shutter button to start recording. The recording duration will shown on the top right cover of the screen.
4. Press the Up button to pause recording. Press the Shutter button again to stop recording. The camera will stop recording automatically when the memory capacity is full.


- The LCD screen can rotate 270°.
- During recording, press Left button, the screen will turn black(for saving power)while the camera is still working. Press Left button again to light up the screen.
- **The camera has the function of manual focusing. Rotating the lens can alternate long shots and macro photography. Rotate the lens to the left, the camera is switched to long shots state. Rotate the lens to the right, the camera is switched to macro shooting state. In macro photography mode, you can record video that will show small objects clearly.**



### 3.1 Video Mode Menu

Menu	Function
Movie Size	Set the video resolution. Select small movie size can record longer time. Options: [1920×1080(30fps)]/ [1280×720(60fps)]/ [1280×720(30fps)].
White Balance	Set the white balance to adapt different light sources.Options: [Auto]/ [Daylight]/ [Cloudy]/ [Fluorescent]/ [Tungsten].
Video Quality	Set the video quality.Options: [Super Fine]/ [Fine]/ [Normal].
Stabilizer	Use the function to avoid our hands shaking when taking pictures. [On]/ [Off].
Voice Rec	Record the voice when recording video.[On]/ [Off].

Menu	Function
Loop Recording	Set the time of loop recording.Options: [Off]/ [1min]/ [3min]/ [5min].
Motion Detect	The camera will detect the motion state automatically after open this function.If it detect a period time of stationary, the camera will stop recording.If detect motion again, it will restart to recording. [On]/ [Off].
Slow Motion	[On]/ [Off]
Time-lapse	Set the time-lapse recording. Options: [Off]/ [3sec]/ [5sec]/ [10sec]/ [30sec]/ [1min]/ [3min].
Time-lapse Duration	Set the duration of time-lapse recording.Options: [Unlimited]/ [3min]/ [5min]/ [10min]/ [15min]/ [20min]/ [30min]/ [60min].
Date Stamp	Stamp the date and time on the recorded video files.Options: [Off]/ [Date]/ [Date&Time].

### 4. TAKING STILL IMAGES

1. Turn on the camera, and press the Mode button to set the camera to capture mode. An icon  will show on the top left corner of the screen.
2. View the target subject on LCD screen, and press the W/T button to zoom in/zoom out the image.
3. Press the Shutter button to take a picture.After the image has been taken, the LCD will display the image for a brief seconds.

- The memory capacity in the top right of screen will decrease one as each image is taken.
- The LCD screen can rotate 270°.
- During taking pictures, press Left button, the screen will turn black(for saving power)while the camera is still working.Press Left button again to light up the screen.
- **The camera has the function of manual focusing. Rotating the lens can alternate long shots and macro photography. Rotate the lens to the left, the camera is switched to long shots state. Rotate the lens to the right, the camera is switched to macro shooting state. In macro photography mode, you can take pictures that will show small objects clearly.**

#### 4.1 Capture Mode Menu


Menu	Function
Resolution	Set the resolution of pictures. Options: [20M]/ [16M]/ [12M]/ [8M]
White Balance	Set the white balance to adapt different light sources.Options: [Auto]/ [Daylight]/ [Cloudy]/[Fluorescent]/ [Tungsten].
Video Quality	Set the image quality. Options: [Super Fine]/ [Fine]/ [Normal].

Menu	Function
Metering	[Center]/ [Multi]/ [Spot]
Sharpness	[Hard]/ [Normal]/ [Soft]
ISO	Set the level of light sensitivity to adapt the surrounding environment.Options: [Auto]/ [50]/ [100]/ [200]/ [400]/ [800]/ [1600].
Exposure	Set the exposure value manually to compensate light in unusual condition. Options: [-2.0]/ [-1.7]/ [-1.3]/ [-1.0]/ [-0.7]/ [-0.3]/ [0.0]/ [+0.3]/ [+0.7]/ [+1.0]/ [+1.3]/ [+1.7]/ [+2.0].
Stabilizer	Use the function to avoid our hands shaking when taking pictures. [On]/ [Off].
Auto Review	Keep the photo displaying on the screen for seconds after press the Shutter button.Options: [Off]/ [1sec]/ [3sec]/ [5sec].
Self-Timer	Set the time of taking pictures automatically. Options: [Off]/ [2sec]/ [10sec].
Photo Burst	Once press the Shutter button, the camera will take several photos continuously. Options: [Off]/ [3]/ [5]/ [10].
Time-lapse	Set the time-lapse taking pictures. Options: [Off]/ [3sec]/ [5sec]/ [10sec]/ [30sec]/ [1min]/ [3min].
Time-lapse Duration	Set the duration of time-lapse.Options: [Unlimited]/ [3min]/ [5min]/ [10min]/ [15min]/ [20min]/ [30min]/ [60min].
Date Stamp	Stamp the date and time on the photo files.Options: [Off]/ [Date]/ [Date&Time].



## 5. PLAYBACK

### 1. Entering playback mode

Turn on the camera and press the Mode button to set the camera to playback mode. The screen will show two options "Video File" and "JPG File". Choose the option you want to playback, press OK button to enter the playback interface. An icon  will appear on the top left corner of the screen.

Press the UP button to enter the playback mode quickly when the camera is in video or capture mode and press it again to go back to the primary mode.

### 2. View all the files

Press the Down button (or the W/T button) to view the images and video files one by one. Press the OK button to choose file and enter the playback mode menu interface.

### 3. Playback video files

Press the Shutter button to play the video, press the Up button to pause playing. Press the Shutter button or Mode button again to stop playing.

## 5.1 Playback Mode Menu

Menu	Function
Lock	Use this function to protect the files from being deleted by accident: [Single]/ [Lock All]/ [Unlock All].
Delete	Use this function to delete single file or all files: [Single]/ [All].

## 6. MAKE CONNECTIONS

### 6.1 Connecting the camera to a HDTV

Connect the HDTV to the camera, the screen of camera will turn off. At this time, the function of HDTV screen is same as the camera screen.

1. Connect the camera to HDTV by attached HDMI-cable.
2. Turn on the camera and HDTV and switch the TV to "HDMI" mode.
3. When the camera is in capture and video mode, you can view the target subject on TV.
4. When the camera is in playback mode, you can review the recorded video and photo files on TV.

## 6.2 Connecting the camera to a computer

### Download the files on the computer

There are two ways to download files from the camera's internal memory or memory card to a computer:

- By inserting the memory card into a card reader
- By connecting the camera to a computer by the supplied USB cable.

### Using a Card Reader

1. Eject the memory card from the camera and insert it into a card reader that is connected to a computer.
2. Open [My Computer] or [Windows Explorer] and double-click the removable disk icon that represents the memory card.
3. Copy images from the card into a directory of your choice on the computer's hard disk.

### Connecting the camera to a PC by the USB Cable

1. Connect the camera to the computer by the USB cable and turn on the camera. The LCD screen will show "MSDC".
2. Open [My Computer] or [Windows Explorer]. A "Removable Disk" appears in the drive list. Double-click the "Removable

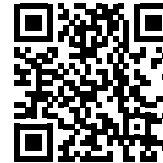
Disk" icon to view its contents. Files stored on the camera are located in the folder named "DCIM".

3. Copy the photos or video files to your computer.

## 6.3 Wi-Fi connecting

### Step 1: Download APP "Ishare Cam".

Search and download APP "Ishare Cam" from "Apple App Store" or "Google Play". Then install it on your Pad or smartphone.



### Step 2: Open camera's Wi-Fi.

Turn on the camera, press Down / Wi-Fi button in capture mode or video mode. The screen will show "Waiting for WiFi Connection..."

### Step 3: Connect smartphone to camera's Wi-Fi

Open Wi-Fi search on smartphone or Pad. Search camera's Wi-Fi account "DVC-540-XXXXXX". Input the initial password "12345678". Then click to link.

**Step 4:** If connection successful, the screen will show "WiFi Connection Ready!" Then you can open APP "Ishare Cam" to operate the camera on smartphone or Pad.

**Step 5:** Press Wi-Fi button again will exit Wi-Fi mode.

#### 6.4 How to use the PC camera function

1. Turn off the camera. Connect the camera to the computer by the USB cable.
2. Long press the Power button or turn over the LCD screen to turn on the camera. If the screen shows "MSDC", please press Mode button to switch to PC camera mode and the screen will show "PCCAM".
3. In Windows XP system, open [My Computer] and double click "USB video tool". The camcorder will works as PC Camera function; In Window s Vista, 7 and 8 system, the PC Camera function can only be used in communication software, such as QQ and Skype.
4. Press the Power button can exit the PCCAM mode.

## 7. SPECIFICATION

Image Sensor	8 Mega Pixels IMX179 Sony Sensor
LCD Display	3.0" HD Resistance Touch Screen
Resolution	Still Image: [20M]: 5120×3840; [16M]: 4640×3480; [12M]: 4000×3000; [8M]: 3264×2448 Video Clip:[1920×1080(30fps)]/[1280×720(60fps)]/[1280×720(30fps)]
Aperture	F=2.8, f=5.3mm
Focus	micro/1.5m~infinity
Digital Zoom	8X
Shutter Control	Electronic shutter
Shutter Speed	1/2-1/2000 sec
Exposure	+2.0 EV-- -2.0 EV
White Balance	Auto, Sunny, Cloudy, Fluorescent, Tungsten
Manual Focusing	Support
WiFi Module	Support
PC Camera	Support
Microphone	Build-in
Speaker	Build-in

Video Out	HDMI, Support watching and recording at the same time
Temperature	Operate: 0 °C to 40 °C Storage: -20 °C to 60 °C
Supported O/S	Microsoft Windows XP, Windows VISTA, Windows 7
PC Interface	Micro USB2.0
Storage Media	SD card (up to 32G)
Power Source	Moveable Lithium battery NP60
Dimensions	114.6 × 42 × 68.5 (mm)
Weight	190 g

**Manufacturer is not responsible for accidental mistakes and misprinting in this document.  
Specification is subject for changing without prior notification.**

# Rekam

## ЦИФРОВАЯ ВИДЕОКАМЕРА DVC-540



**РУКОВОДСТВО ПОЛЬЗОВАТЕЛЯ**

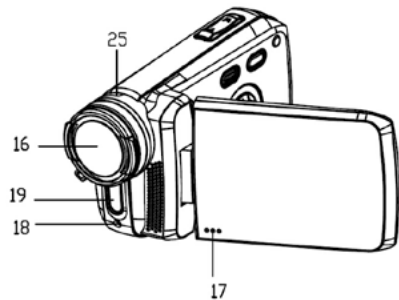
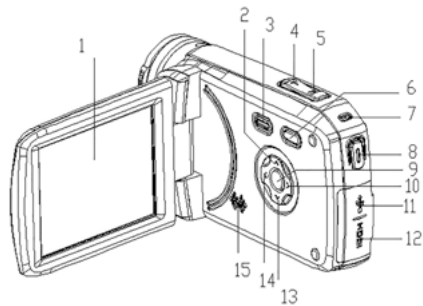
# СОДЕРЖАНИЕ

<b>1. ПОДГОТОВКА К РАБОТЕ</b> .....	25
1.1 УСТРОЙСТВО КАМЕРЫ .....	25
1.2 УСТАНОВКА БАТАРЕИ И КАРТЫ ПАМЯТИ .....	27
<b>2. ОСНОВНЫЕ ФУНКЦИИ</b> .....	28
2.1 ВКЛЮЧЕНИЕ И ВЫКЛЮЧЕНИЕ .....	28
2.2 УСТАНОВКА ДАТЫ И ВРЕМЕНИ .....	28
2.3 ФОРМАТИРОВАНИЕ КАРТЫ ПАМЯТИ .....	29
2.4 СМЕНА РЕЖИМОВ РАБОТЫ .....	30
2.5 ОТОБРАЖЕНИЕ ЭЛЕМЕНТОВ НА LCD ЭКРАНЕ .....	31
2.6 НАСТРОЙКИ КАМЕРЫ .....	33
<b>3. ЗАПИСЬ ВИДЕО</b> .....	35
3.1 РЕЖИМ ВИДЕО МЕНЮ .....	37
<b>4. РЕЖИМ ФОТОСЪЕМКИ</b> .....	38
4.1 МЕНЮ РЕЖИМА ФОТОСЪЕМКИ .....	40
<b>5. ВОСПРОИЗВЕДЕНИЕ</b> .....	41
5.1 МЕНЮ РЕЖИМА ВОСПРОИЗВЕДЕНИЯ .....	42
<b>6. ПОДКЛЮЧЕНИЕ</b> .....	43
6.1 ПОДКЛЮЧЕНИЕ КАМЕРЫ К HDTV .....	43
6.2 ПОДКЛЮЧЕНИЕ КАМЕРЫ К КОМПЬЮТЕРУ .....	43
6.3 ПОДКЛЮЧЕНИЕ ПО WI-FI .....	45
6.4 ИСПОЛЬЗОВАНИЕ КАМЕРЫ КАК PC-КАМЕРЫ .....	46
<b>7. СПЕЦИФИКАЦИИ</b> .....	47

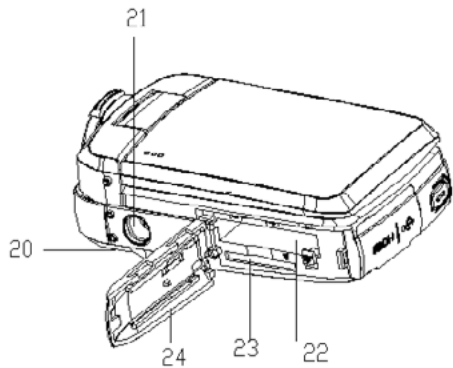
## 1. ПОДГОТОВКА К РАБОТЕ

### 1.1 Устройство камеры

1. LCD экран
2. Кнопка «Вверх» / «Воспроизведение»
3. Кнопка включения камеры
4. Кнопка увеличения масштаба
5. Кнопка уменьшения масштаба
6. Кнопка «Режим»
7. Индикатор процесса зарядки
8. Кнопка спуска затвора
9. Кнопка «OK» / «Меню»
10. Кнопка «Вправо» / LED подсветка
11. USB разъем
12. HDMI разъем



- 13. Кнопка «Вниз» / «Wi-Fi»
- 14. Кнопка «Влево»
- 15. Динамик
- 16. Объектив
- 17. Микрофон
- 18. Индикатор съемки по таймеру
- 19. LED лампа
- 20. Ремешок
- 21. Крепеж для штатива
- 22. Отсек для батареи
- 23. Слот для SD карты
- 24. Крышка батарейного отсека
- 25. Переключатель режима макросъемки



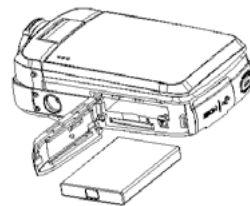
## 1.2 Установка батареи и карты памяти

1. Откройте батарейный отсек, предварительно сдвинув крышку в соответствии с указателем.
2. Под крышкой вы увидите батарейный отсек и слот для SD-карты.
3. Вставьте литиевую батарею в слот, как показано на следующем рисунке (а). Пожалуйста, убедитесь, что символы +/- на батарее соответствуют символам +/- на камере.
4. Вставьте SD-карту (до 32 ГБ) в слот для карты памяти, как показано на следующем рисунке (б). Пожалуйста, обратите внимание на направление, не пытайтесь вставить карту применяя усилие.

(а)



(б)



**Примечание:** пожалуйста, подключите камеру к источнику питания для зарядки аккумулятора используя USB кабель. После того, как аккумулятор будет полностью заряжен, индикатор зарядки погаснет.

Корпус камеры может нагреваться в процессе длительного использования.

## 2. ОСНОВНЫЕ ФУНКЦИИ

Камера оснащена 3-дюймовым резистивным touch screen экраном. Вы можете управлять камерой, нажимая непосредственно на экран или на обычные кнопки управления.

### 2.1 Включение и выключение

Включение: нажмите на кнопку включения или откройте LCD экран, чтобы включить камеру.

Выключение: нажмите на кнопку включения или закройте LCD экран, чтобы выключить камеру.

### 2.2 Установка даты и времени

1. Включите камеру.

2. Нажмите кнопку «Меню» (или нажмите на значок «Меню» на экране), чтобы войти в меню интерфейса. Затем нажмите кнопку «Вправо», чтобы войти в меню настроек.
3. Нажмите кнопку «Вверх» и «Вниз» (или коснитесь «Дата и время» на экране), чтобы перейти к пункту установки даты и времени. Затем нажмите «ОК» (или нажмите на значок «ОК» на экране), чтобы войти в интерфейс настройки.
4. Нажмите кнопку «Вверх» / «Вниз» / «Вправо» / «Влево» (или нажмите соответствующий значок на экране), чтобы выбрать параметр, который вы хотите изменить. Нажмите «ОК» для подтверждения и выхода.
5. Нажмите кнопку «Влево», чтобы выйти. Нажмите кнопку выбора режимов (или нажмите значок «Назад» на экране), чтобы выйти из меню настроек.

### 2.3 Форматирование карты памяти

Перед первым использованием карты памяти необходимо ее отформатировать. При этом, все данные, включая защи-




ценные файлы будут удалены. Пожалуйста, убедитесь, что вы сохранили все важные файлы на компьютер перед форматированием.

1. Включите камеру.
2. Нажмите кнопку «Меню», чтобы войти в меню интерфейса, а затем нажмите кнопку «Вправо», чтобы войти в меню настроек.
3. Выберите элемент меню «Форматирование» нажав кнопку «Вверх» / «Вниз». Затем «ОК», чтобы войти в подменю.
4. Нажмите «Вверх» / «Вниз», чтобы выбрать «Да», а затем нажмите кнопку ОК, чтобы начать форматирование карты памяти.
5. Нажмите кнопку «Влево» чтобы выйти из меню настроек.

## 2.4 Смена режимов работы

Камера имеет три режима работы: режим фотосъемки, режим видеозаписи и режим воспроизведения. Нажмите на кнопку выбора режима работы (или нажмите на значок «Ре-

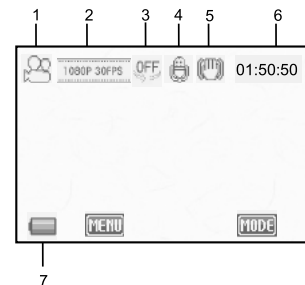
жим» в правом нижнем углу экрана) для выбора режима работы.

Пикт	Заголовок	Описание
	Режим фотосъемки	Для съемки фото.
	Режим видеозаписи	Для записи видеороликов.
	Режим воспроизведения	Для просмотра отснятых материалов.

## 2.5 Отображение элементов на LCD экране

### Видео режим

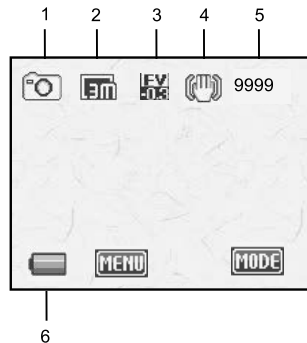
1. Режим видеозаписи
2. Разрешение
3. Циклическая запись
4. Запись голоса
5. Стабилизация
6. Оставшееся время записи
7. Заряд батареи





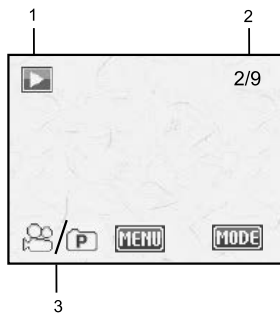
## Режим фотосъемки

1. Режим фотосъемки
2. Разрешение
3. Экспозиция
4. Стабилизация
5. Возможное количество кадров
6. Заряд батареи



## Режим воспроизведения

1. Режим воспроизведения
2. Порядковый номер текущего файла/всего файлов
3. Тип файла: видео/фото



## 2.6 Настройки камеры

Перед тем как приступить к фотосъемке или записи видео, включите камеру, чтобы выполнить первоначальные настройки. Нажмите кнопку «Меню», чтобы войти в меню. Затем нажмите кнопку «Вправо», чтобы открыть меню настроек, как показано ниже. Сделайте необходимые изменения и нажмите кнопку «ОК», чтобы подтвердить выбор и выйти.

Меню	Функция
Звуки	Установка звуков и громкости срабатывания затвора, включения камеры и стандартного звукового сигнала. Затвор: [Вкл] / [Выкл] Включение: [Нет] / [1] / [2] / [3] Звуковой сигнал: [Вкл] / [Выкл] Громкость: [0] / [1] / [2] / [3]
Подсветка	Установка длительности подсветки. Варианты выбора: [1мин] / [3мин] / [5мин] / [Вкл].
LED	Установка состояния LED подсветки. Параметры: [Вкл] / [Выкл].



Меню	Функция
Энергосбережение	Для экономии энергии, камера выключится автоматически по истечении определенного периода времени, если вы не работали с ней. Параметры: [1мин] / [3мин] / [5мин] / [Выкл].
Дата и время	Установка даты и времени при помощи кнопок «Вверх» / «Вниз» / «Влево» / «Вправо».
Язык	Установки языка меню: «Русский» «English»/ «German»/ «Italian»/ «Spanish»/ «Portuguese»/ «Dutch»/ «French».
Частота Напряжения сети	Частота должна быть установлена в зависимости от вашего региона: [50HZ]/ [60HZ].
USB	Установите режим по умолчанию при подключении камеры к компьютеру с помощью кабеля USB: [MSDC] / [UVC].
Форматирование	Форматирование карты памяти SD приведет к удалению всех файлов, включая защищенные файлы. Пожалуйста, скопируйте важные файлы перед форматированием. Параметры: «Да» / «Нет».
Сбросить установки	Восстанавливает настройки по умолчанию: Параметры: «Да» / «Нет»

### 3. ЗАПИСЬ ВИДЕО

1. Включите камеру, нажмите кнопку «Режим», чтобы установить камеру в режим видеозаписи. Появится значок в левом верхнем углу экрана.
2. Посмотрите на объект съемки на LCD-дисплее, и нажмите кнопку «W» / «T» для увеличения / уменьшения масштаба изображения.
3. Нажмите кнопку спуска затвора, чтобы начать запись видео. Иконка будет отображаться в верхней правой части экрана.
4. Нажмите кнопку «Вверх», чтобы приостановить запись. Нажмите кнопку затвора еще раз, чтобы остановить запись. Камера автоматически остановит запись, когда объем памяти будет исчерпан.
  - LCD-экран может поворачиваться на 270°.
  - Во время записи нажмите кнопку «Влево», экран выключится (для экономии энергии), а камера все еще будет работать. Нажмите на кнопку «Влево» еще раз, чтобы включить экран.

- Камера имеет функцию ручной фокусировки. Вращая кольцо на объективе можно переключать рабочий диапазон между съемкой на дальнее расстояние и макрофотографией.

**Внимание! Во время съемки убедитесь, что кольцо установлено в соответствующее положение, для того чтобы получить максимальную резкость видео- и фото-материалов.**


Поверните кольцо объектива влево, чтобы переключить камеру на съемку объектов на обычном расстоянии. Соответствующий значок  появится в правом нижнем углу экрана. Поверните кольцо объектива вправо, чтобы переключить камеру на съемку макро-объектов. Соответствующий значок  появится в правом нижнем углу экрана. В режиме макросъемки, вы можете снимать маленькие объекты с высокой четкостью.

### 3.1 Режим видео меню



Меню	Функции
Разрешение видео	Установите разрешение видео. Высокое разрешение займет больше места на карте памяти. Выбирайте меньшее разрешение, чтобы поместилось больше количество данных. Параметры: [1920×1080(30fps)]/[1280×720(60fps)]/[1280×720(30fps)].
Баланс белого	Установите баланс белого, чтобы скомпенсировать различные условия съемки. Параметры: [Авто]/ [Дневной]/ [Облачно]/ [Флуоресцентный]/ [Вольфрам].
Качество видео	Установите качество видео. Параметры: [Оч. Высокое]/ [Высокое]/ [Обычное].
Стабилизатор	Используйте данную функцию, чтобы компенсировать дрожание камеры при съемке с рук. [Вкл]/ [Выкл].
Запись голоса	Запись голоса при съемке видео.[Вкл]/ [Выкл].
Циклическая запись	Установите время цикла записи. Параметры: [Выкл]/ [1мин]/ [3 мин]/ [5 мин].
Детектор движения	Камера определяет состояние движения автоматически, если включить эту функцию. Камера прекратит запись, если объект съемки неподвижен. Если движение будет зафиксировано, то запись снова будет запущена. [Вкл]/ [Выкл].

Меню	Функции
Замедленная съемка	[Вкл]/ [Выкл]
Запись с интервалами через промежутки времени (time-laps) длина интервалов	Установка интервалов записи через промежутки времени. Параметры: [Выкл]/ [3 сек]/ [5 сек]/ [10 сек]/ [30 сек]/ [1 мин]/ [3 мин].
Запись с интервалами через промежутки времени (Time-lapse) продолжительность записи	Установка продолжительности записи для time-laps режима. Параметры: [Без ограничений]/ [3 мин]/ [5 мин]/ [10 мин]/ [15 мин]/ [20 мин]/ [30 мин]/ [60 мин].
Штамп даты	Печать даты и времени на записанных видеофайлах. Параметры: [Выкл] / [Дата] / [Дата&Время].

#### 4. РЕЖИМ ФОТОСЪЕМКИ

1. Включите камеру и нажмите кнопку «Режим», чтобы переключить камеру в режим фотосъемки. Пиктограмма  будет показана в верхнем левом углу экрана.
2. Наведите камеру на объект съемки, отрегулируйте масштаб кадра при помощи кнопок W/T.

3. Нажмите на кнопку спуска затвора, чтобы сделать снимок. После этого, на несколько секунд на экране появится изображение, которое было сделано.
  - Счетчик оставшихся кадров в правом верхнем углу экрана уменьшится на единицу, как только изображение будет сделано.
  - Экран может поворачиваться на 270° гардусов.
  - Во время съемки фото, нажмите кнопку «Влево» экран будет выключен(чтобы сохранить заряд батареи), при этом камера продолжит работать. Нажмите кнопку «Влево» снова, чтобы включить экран.

Поверните кольцо объектива влево, чтобы переключить камеру на съемку объектов на обычном расстоянии. Соответствующий значок  появится в правом нижнем углу экрана. Поверните кольцо объектива вправо, чтобы переключить камеру на съемку макро-объектов. Соответствующий значок  появится в правом нижнем углу экрана. В режиме макросъемки, вы можете снимать маленькие объекты с высокой четкостью.


## 4.1 Меню Режима фотосъемки

Меню	Функции
Разрешение	Установите разрешение фотоснимков: [20M]/ [16M]/ [12M]/ [8M]
Баланс белого	Установите баланс белого чтобы подобрать оптимальные настройки в соответствии с условиями освещения. [Авто]/ [Солнечно]/ [Облачно]/[Лампа дневного света]/ [Лампа накаливания].
Качество фото	Установите качество изображения. [Отлично]/ [Хорошо]/ [Нормально].
Замер	[Центр]/ [Множественный]/ [Спорт]
Резкость	[Резко]/ [Нормально]/ [Мягко]
ISO	Установите уровень чувствительности в соответствии с окружающей средой. [Авто]/ [50]/ [100]/ [200]/ [400]/ [800]/ [1600].
Экспозиция	Установите параметры экспозиции вручную, чтобы компенсировать условия освещения по своему вкусу. [-2.0]/ [-1.7]/ [-1.3]/ [-1.0]/ [-0.7]/ [-0.3]/ [0.0]/ [+0.3]/ [+0.7]/ [+1.0]/ [+1.3]/ [+1.7]/ [+2.0].
Стабилизация	Используйте эту функцию, чтобы предотвратить нежелательные эффекты от дрожания камеры во время фотосъемки. [Вкл]/ [Выкл].
Авто просмотр	Показывать снятое изображение на дисплее в течении нескольких секунд после нажатия на кнопку спуска затвора. [Выкл]/ [1сек]/ [3сек]/ [5сек].
Таймер	Установите таймер для автосъемки [Выкл]/ [2сек]/ [10сек].

Меню	Функции
Серия	При нажатии на кнопку спуска затвора, камера сделает серию кадров. [Выкл]/ [3]/ [5]/ [10].
Таймлапс	Включить режим таймлапс (Съемка кадров через определенный интервал) [Выкл]/ [3сек]/ [5сек]/ [10сек]/ [30сек]/ [1мин]/ [3мин].
Продолжительность интервала Таймлапс	Установите продолжительность работы режима Таймлапс [Без ограничений]/ [3мин]/ [5мин]/ [10мин]/ [15мин]/ [20мин]/ [30мин]/ [60мин].
Штамп даты	Устанавливает штап даты и времени на фотоизображение. [Выкл]/ [Дата]/ [Дата&Время].

## 5. ВОСПРОИЗВЕДЕНИЕ

### 1. Переключите камеру в режим воспроизведения.

Включите камеру и нажмите кнопку «Режим», чтобы переключить камеру в режим воспроизведения. На экране появится меню выбора из двух вариантов «Видео файл» и «JPG файл». Выберите соответствующий пункт меню и нажмите кнопку «ОК», чтобы войти в интерфейс воспроизведения. Значок  появится на верхней левой части экрана. Для быстрого входа в режим воспроизведения нажмите кнопку «Вверх». Когда ка-

мера находится в режиме видео или фото съемки и нажмите «Вверх» еще раз, чтобы вернуться в основной режим.

## 2. Просмотр всех файлов.

Нажмите кнопку «Вниз» (или кнопки «W» / «T») для просмотра изображений и видеофайлов один за другим. Нажмите кнопку «OK», чтобы выбрать файл и войти в интерфейс меню режима воспроизведения.

## 3. Просмотр видео файлов.

Нажмите кнопку спуска затвора для воспроизведения видео, нажмите кнопку «Вверх», чтобы приостановить воспроизведение. Нажмите кнопку спуска затвора или кнопку «Режим» еще раз, чтобы остановить воспроизведение.

### 5.1 Меню режима воспроизведения

Меню	Функции
Блокировка	Используйте эту функцию для защиты файлов от случайного удаления: [Один]/ [Блок. все]/ [Разблок. все].
Удаление	Используйте эту функцию, чтобы удалить один или все файлы: [Один]/ [Все].

## 6. ПОДКЛЮЧЕНИЕ

### 6.1 Подключение камеры к HDTV

Подключите HDTV к камере, экран камеры выключится. А экран HDTV будет отображать информацию вместо экрана камеры.

1. Подключите камеру к телевизору высокой четкости с помощью HDMI-кабеля (в комплекте не идет).
2. Включите камеру и HDTV и переключить телевизор в режим «HDMI».
3. Когда камера находится в режиме записи видео, вы можете видеть объект съемки на телевизоре.
4. Когда камера находится в режиме воспроизведения, вы можете просматривать записанные видео и фото файлы на телевизоре.

### 6.2 Подключение камеры к компьютеру

#### Загрузка файлов на компьютер

Есть два способа загрузки файлов с карты памяти камеры на компьютер:

- вставить карту памяти в устройство для чтения карт;
- подключить камеру к компьютеру с помощью прилагаемого кабеля USB.

### Использование устройства для чтения карт

1. Извлеките карту памяти из камеры и вставьте ее в устройство для чтения карт, подключенное к компьютеру.
2. Откройте [Мой компьютер] или [Проводник Windows] и дважды щелкните значок съемного диска, который представляет карту памяти.
3. Скопируйте изображения с карты в директорию на жестком диске компьютера.

### Подключение камеры к компьютеру с помощью USB-кабеля

1. Подключите камеру к компьютеру с помощью кабеля USB и включите камеру. На ЖК-экране появится надпись «MSDC».
2. Откройте [Мой компьютер] или [Проводник Windows]. «Съемный диск» появится в списке дисков. Дважды щелкните значок «Съемный диск», чтобы просмотреть его содержимое. Файлы, хранящиеся на камере находятся в папке под названием «DCIM».

3. Скопируйте фотографии или видео-файлы на ваш компьютер.

### 6.3 Подключение по Wi-Fi

**Шаг 1:** Скачайте приложение «Ishare Cam».

Найдите приложение “Ishare Cam” от “Apple App Store” или “Google Play”. Затем установите его на свой планшет или смартфон.



**Шаг 2:** Активируйте Wi-Fi камеры.

Включите камеру, нажмите кнопку «Вниз» / «WiFi» в режиме видеозаписи. На экране появится надпись «Ожидание подключения Wi-Fi...»

**Шаг 3:** Подключите смартфон к камере по WiFi

Откройте поиск WiFi на смартфоне. Найдите название вашей камеры в списке и введите пароль для входа «12345678».

**Шаг 4:** Если соединение успешно установлено, на экране появится «WiFi Connection Ready!» Затем вы можете открыть приложение «Ishare Cam», чтобы управлять камерой с помощью смартфона или планшета.

**Шаг 5:** Нажмите кнопку WiFi снова, чтобы выйти из режима WiFi.

#### 6.4 Использование камеры как PC-камеры

1. Отключите камеру. Подключите камеру к компьютеру с помощью USB кабеля.
2. Длительное нажатие на кнопку питания или откройте LCD-экран, чтобы включить камеру. Если на экране отображается «MSDC», нажмите кнопку «Режим» для переключения в режим PC-камеры и на экране появится надпись «PCCAM».
3. В системе Windows XP откройте [Мой компьютер] и дважды щелкните «USB видео инструменты». Видеокамера работает как PC-камера в операционных систе-

мах Windows Vista, Windows 7 и 8. Функция PC-камера может быть использована в программе Skype, в других программах работа не гарантируется производителем.

4. Нажмите кнопку питания еще раз, чтобы выйти из режима PCCAM.

#### 7. СПЕЦИФИКАЦИИ

Сенсор	8 Mega Pixels IMX179 Sony Sensor
LCD дисплей	3.0" HD Resistance Touch Screen
Разрешение	Фото: [20M]: 5120×3840; [16M]: 4640×3480; [12M]: 4000×3000; [8M]: 3264×2448 Видео: [1920×1080(30fps)]/[1280×720(60fps)]/[1280×720(30fps)]
Апертура	F=2.8, f=5.3mm
Дистанция фокусировки	макро/1.5м~бесконечность
Цифровой зум	8X
Затворный механизм	Электронный
Скорость затвора	1/2~1/2000 сек
Экспозиция	+2.0 EV— -2.0 EV
Баланс белого	Авто, Солнечно, Облачно, Флуоресцентный, Вольфрам



Ручная фокусировка	Поддерживается
Wi-Fi модуль	Поддерживается
PC-Камера	Поддерживается
Микрофон	Встроенный
Динамик	Встроенный
Video выходы	HDMI, Поддержка просмотра и записи одновременно
Температура эксплуатации	Рабочая: 0 °C to 40 °C Хранение: -20 °C to 60 °C
Поддержка О/С	Microsoft Windows XP, Windows VISTA, Windows 7
PC интерфейс	Micro USB2.0
Накопители	SD карта (up to 32G)
Источник питания	Батарея Lithium NP60
Размеры	114.6 × 42 × 68.5 (мм)
Вес	190 г

**Производитель не несет ответственность за возможные ошибки и опечатки в настоящем документе.**

**Спецификация продукта может быть изменена без предварительного уведомления.**